



**SAATVIK<sup>TM</sup>  
GREEN  
ENERGY**

[www.saatvikgroup.com](http://www.saatvikgroup.com)

# SGE BIFACIAL MODULE

360 Wp, 370 Wp, 380 Wp



## THE SAATVIK EDGE



### High module conversion efficiency

Module efficiency up to 23.2% achieved.



### High PID resistant

Advanced cell technology and qualified materials lead to high resistance to PID.



### Extended wind and snow load tests

Module certified to withstand extreme wind (2400 Pascal) and snow loads (5400 pascal).



### Saatvik current sorting process

System output maximized by reducing mismatch losses with modules sorted and packaged by amperage.



### Low irradiance

Outstanding low irradiance performance.



### IP67 Rated junction box

IP67 junction box for long-term weather endurance with +ve and -ve wires.



### Positive tolerance

Positive tolerance of up to 5W delivers higher output reliability



### Withstanding harsh environment

Salt mist and ammonia tests ensure better sustainability in harsh environment such as desert, farm and coastline



### Rigorous testing criteria

100% EL inspection ensuring defect-free modules

## SGE BIFACIAL MODULE

**360-380W  
POWER OUTPUT RANGE**

**23.2%  
MAXIMUM EFFICIENCY**

**0~+5W  
POSITIVE POWER TOLERANCE**

### About Saatvik

Saatvik manufactures solar panels of high module conversion efficiency that provide outstanding power performance even at low irradiance. With 25-year linear power performance warranty and 10-years workmanship warranty, Saatvik extends the mission to lead India in to a future that is sustainable and flourishing in energy and environment.

### Product Certificates

- IEC 61215 / IEC 61730: TUV Rheinland
- UL 1703
- IEC 61701 ED2
- IEC 62804 (PID)
- IEC 62716 (Ammonia)

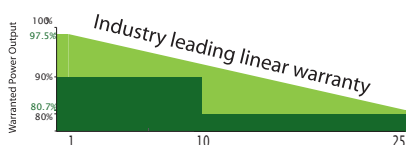


### Management System Certificates

- ISO 9001:2015 / Quality management system
- ISO 14001:2015 / Standards for environmental management system
- OHSAS 18001:2007 / International standards for occupational health & safety



### Industry leading warranty based on Nominal Power



- 97.5% in the first year, thereafter, for years two (2) through twenty-five (25), 0.7% maximum decrease from module's nominal power output per year, ending with the 80.7% in the 25th year after the defined WARRANTY STARTING DATE.
- 10 year product warranty.
- 25 year linear performance warranty.



# SGE BIFACIAL MODULE

Electrical Specifications*	SGE360	SGE370	SGE380
STC rated output P <sub>mpp</sub> (W)	360	370	380
Cell Efficiency	21.4%	21.7%	22.0%
Module Efficiency Stc	18.5%	19.0%	19.5%
Standard sorted output	-3%/+5%	-3%/+5%	-3%/+5%
Open Circuit Voltage Voc (V)	52.4	52.6	52.8
Short circuit current I <sub>sc</sub> (A)	9.26	9.30	9.34
Rated Voltage V <sub>mp</sub> (V)	42.0	42.6	43.2
Rated Current I <sub>mp</sub> (A)	8.6	8.7	8.8

\* Standard Test Conditions for front-face of panel: 1000 W/m<sup>2</sup>, 25°C.

Bi-facial Output**			
With 10% Backside Power Boost			
Power Output (W)	396	407	418
Module Efficiency	20.3%	21.0%	21.3%
With 20% Backside Power Boost			
Power Output (W)	432	444	456
Module Efficiency	22.2%	22.9%	23.2%

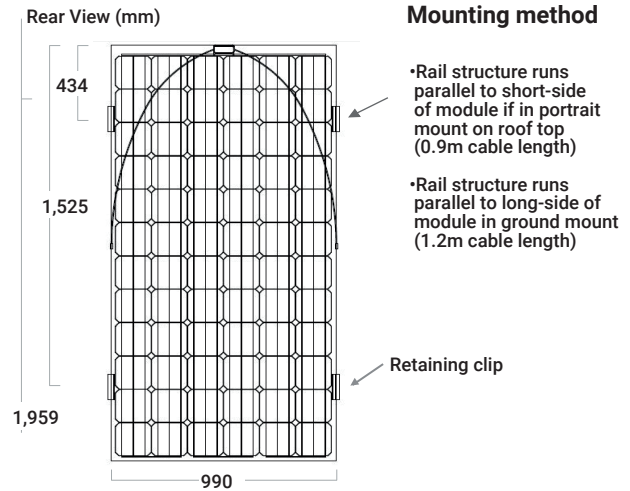
\*\* Backside boost for flush mount configuration is ≤5%, resulting in I<sub>sc</sub> ≤9.56 – 9.77 A

Test Operating Conditions	
Operating Temperature	- 40 to + 85°C
Storage Temperature	- 40 to + 85°C
Maximum Series Fuse	20 A
Maximum System Voltage	1,000VDC (UL & IEC)
Power/Sq.Ft. w/ 20% backside power boost	20.1 W / Sq. Foot 5,400 Pa (snow load)
Maximum load capacity	185 mph wind rating
Fire Class	Class A - Type 3

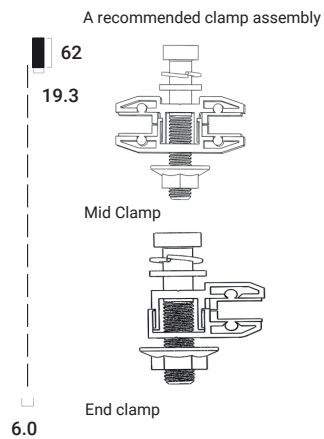
Temperature Coefficients	
Temperature coefficient P <sub>mp</sub>	-0.28%/C
Temperature coefficient I <sub>sc</sub>	+0.03%/C
Temperature coefficient Voc	-0.23%/C
Normal operating cell temperature (NOCT)°C	46C +/- 2

Mechanical Specifications	
Dimensions	1955 x 991 x 5.2 mm
Weight	27.3 kg (60.19 lbs)
Area	1.94m <sup>2</sup> (20.88 ft <sup>2</sup> )
Cell type	Bifacial Cell Technology
Module type	72 Cells, Frameless double glass design with tempered glass, no grounding required
Glass	Front glass 2mm, Back glass 3.2mm
Junction Box	Tyco IP-67 rated; 1,000V UL/IEC, 3 diodes
Cables	4mm <sup>2</sup> x 1.2 m cable: MC4 or MC4 compatible Tyco connectors
Clamps	Recommended Sunpreme 200mm

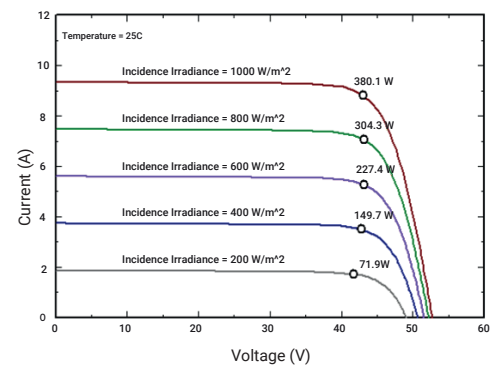
Packaging	
Modules per crate	25
Crate per shipping container	22



## Side View (mm)



## I<sub>max</sub> - V<sub>max</sub> (72 cell Version)



- Optimum panel efficiency suitable for roof-tops, ground mounted, solar water pumping for utility applications.
- Suitable for all environment conditions.

## PARTNER SECTION

Information on how to install and operate this product is available in the installation instruction. All values indicated in this data sheet are subject to change without prior announcement. The specifications may vary slightly. All specifications are in accordance with standard EN 50380. Color differences of the modules relative to the figures as well as discolorations of/in the modules which do not impair their proper functioning are possible and do not constitute a deviation from the specification.